



GASPARDO



PA2 SF *CENTAURO SF & PRIMAVERA SF seeding bars*

Supplied By

DELMADÉ
Shaping the Land
PTY LTD

Seeding & Planting PM, December 2020



- ▶▶ Tractor connection: **FRONT 3-POINTS HITCH**
- ▶▶ Product distribution: **VOLUMETRIC**
- ▶▶ Product transport: **PNEUMATIC**
- ▶▶ Doser transmission: **ELECTRIC** 
- ▶▶ Management system: **GENIUS MASTER**
- ▶▶ Communication:  **ISO BUS**
www.iso-bus-database.org



Model	Dosers (n°)	Blowers (n°)	Transport lines (n°)	Hopper capacity (l)	Hopper compartments (n°)	Width (cm)
PA1	1	1	1	1.100	1	250
PA2 SF	2	2	2	2.000 (1.200 S + 800 F)	2	250



Rounded shape for improved visibility



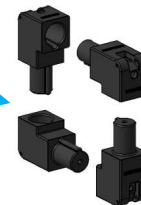
High total capacity: 2.000 L
(1.200 L seed + 800 L fertilizer)



Two independent dosers with electric transmission



Optional ballast kit



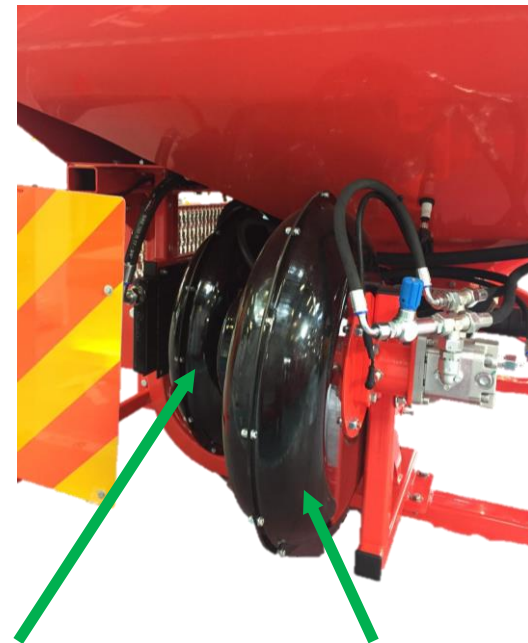
Folding inspection step

Two tractor-dependent blowers



Double blower

- ▶▶ PA2 SF has **two independent blowers**.
- ▶▶ Each hopper compartment and doser with them blower.
- ▶▶ This feature allows:
 - ▶▶ **high product dosing** also with high working speed (10-15 km/h);
 - ▶▶ **independent air calibration** depending on the product weight.
- ▶▶ The two blower has **tractor-dependent hydraulic drive**.
- ▶▶ Pneumatic transport capacity to the 6-m seeding bar:
 - ▶▶ 10 Km/h (250 Kg/Ha seed and 200 Kg/Ha fertilizer)
 - ▶▶ 12 Km/h (200 Kg/Ha seed and 150 Kg/Ha fertilizer)

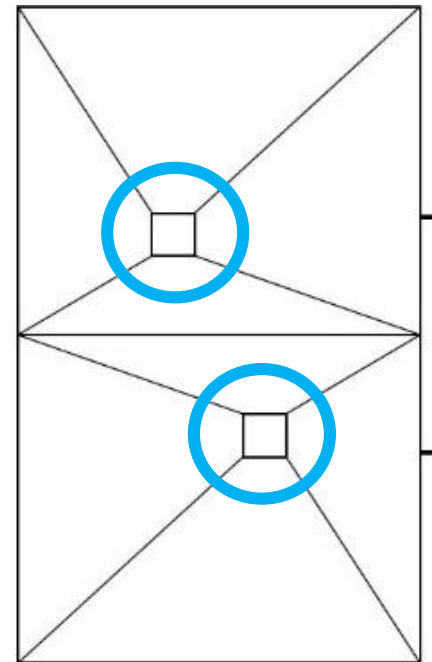
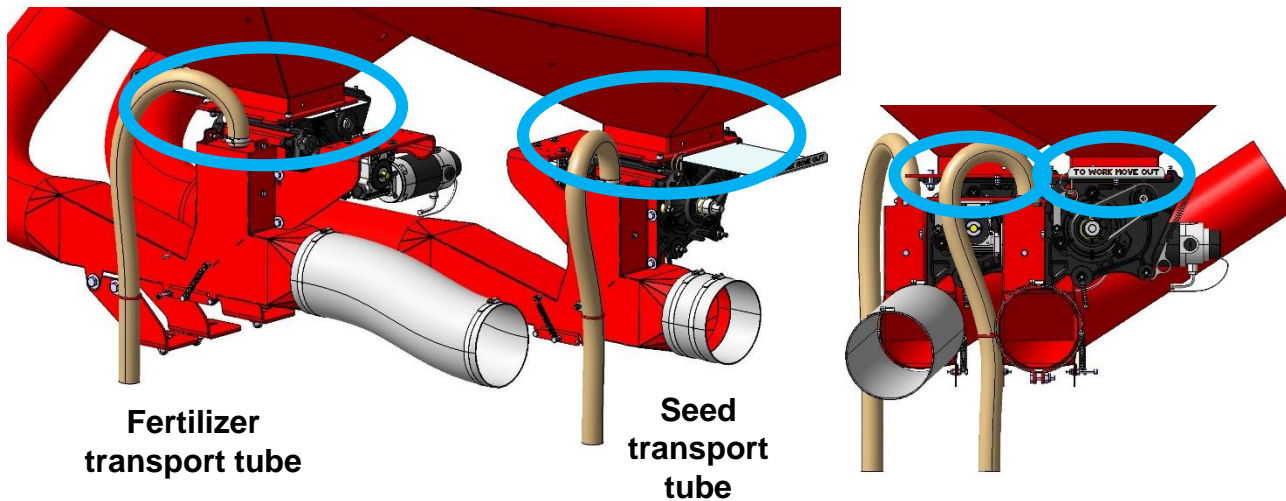


Blower for 800 L compartment (fertilizer)

Blower for 1.200 L compartment (seed)

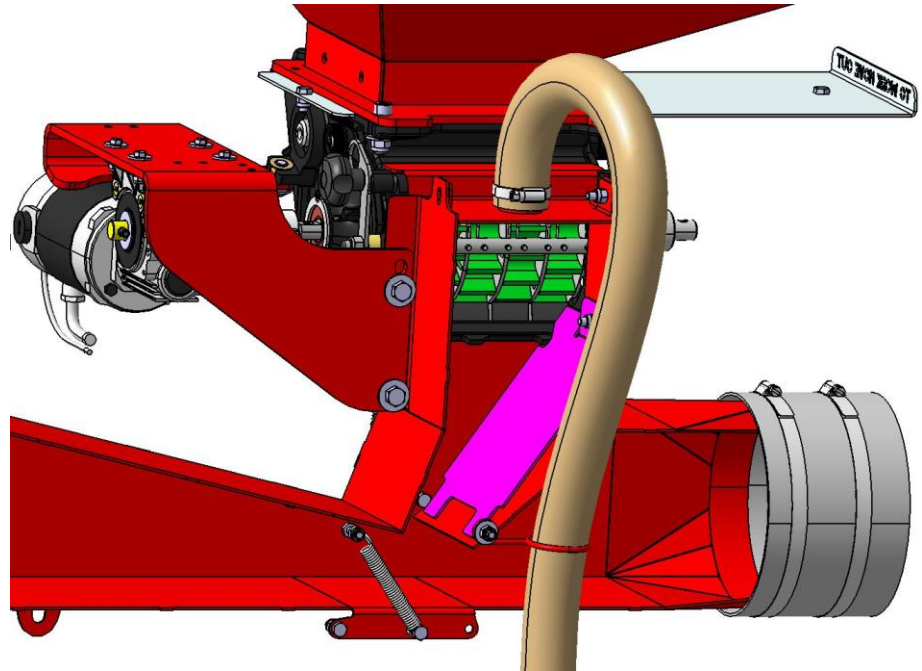
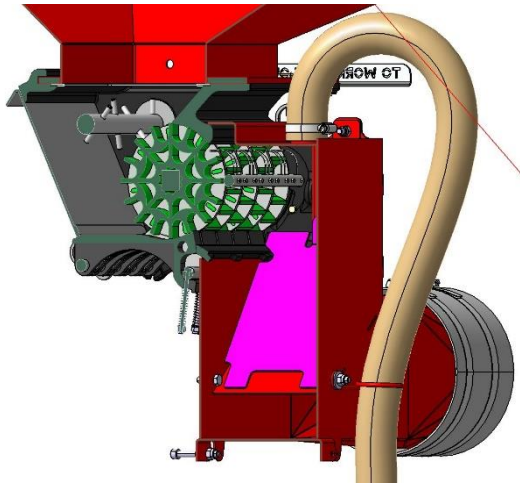
Staggered hopper breach

- ▶ Compared to the current version of PA2, the breach of the product from the hopper to the dosers are staggered.
- ▶ Feature which allows for a dosers positioning able to guarantee the **products fall directly inside the transport tubes.**

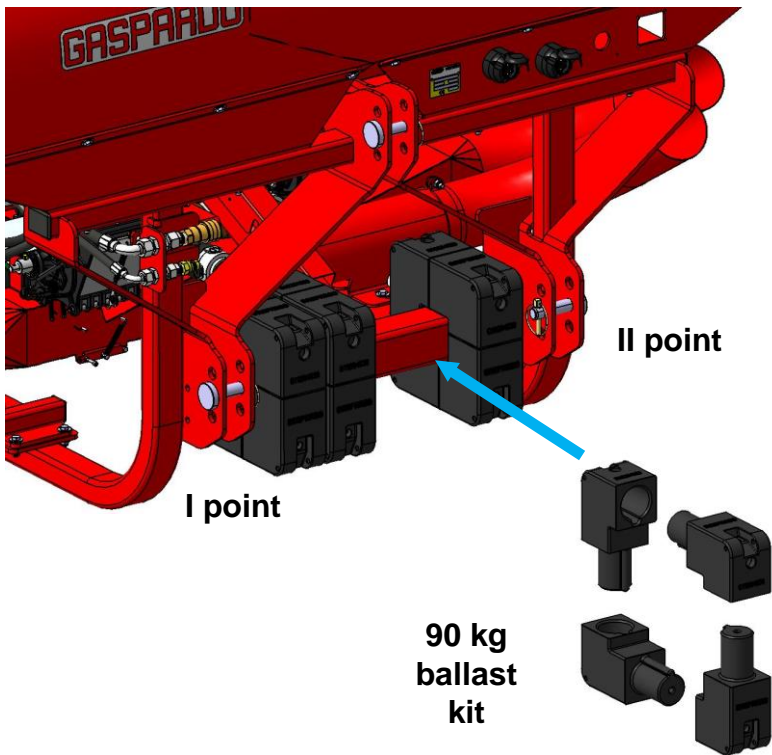


Guaranteed distribution on strong slopes

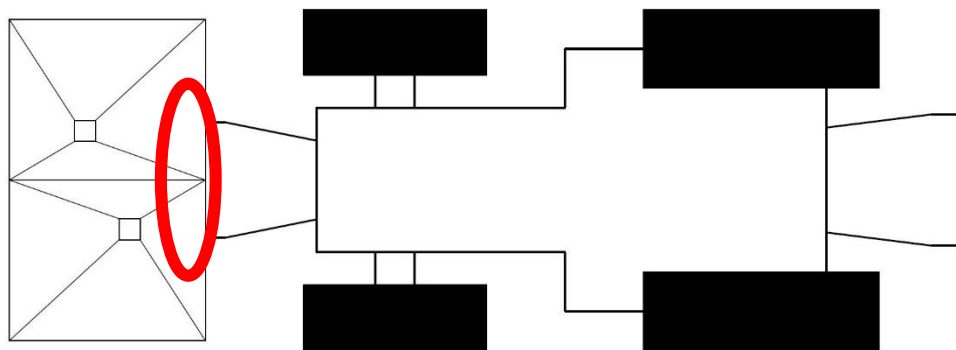
- ▶▶ Between the doser and the transport tube there is a **slide**.
- ▶▶ It guarantees the **product descent** even in conditions of machine use with **high lateral slopes**.



Ballast kit

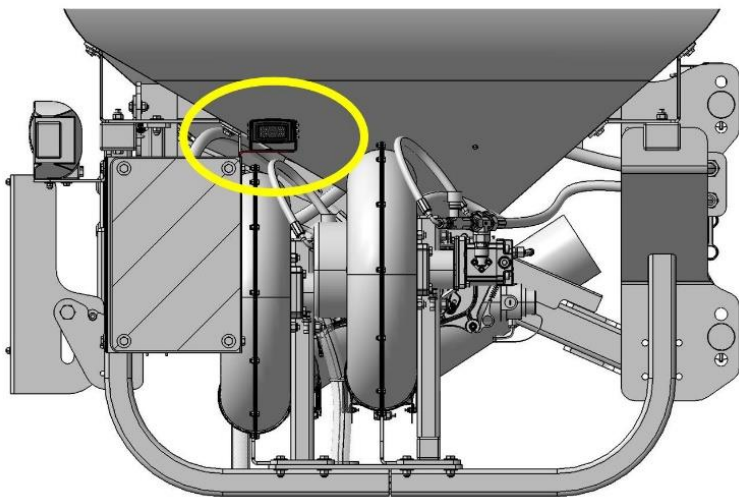


- ▶▶ The **90 kg ballast kit** can be applied between the 1st and 2nd point attachments.
- ▶▶ At most it is possible to apply 4 kits (4 kits * 90 kg = 360 kg)
- ▶▶ Each kit consists of **4 modules**, in order to simplify the assembly/disassembly operation.



Cameras kit

▶▶ N.2 lateral cameras kit with monitor for the tractor cabin.



PA2 SF allows double distribution of seed and fertilizer with the following seeding bar:

CENTAURO SF seeding bar (2 ranks)

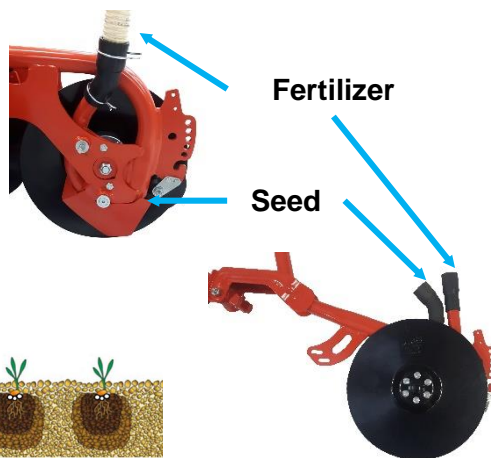


PRIMAVERA SF seeding bar (4 ranks)



CENTAURO SF seeding bar

- ▶ Compatible only with AQUILA and TORO power harrows
- ▶ 2-ranks seeding bar

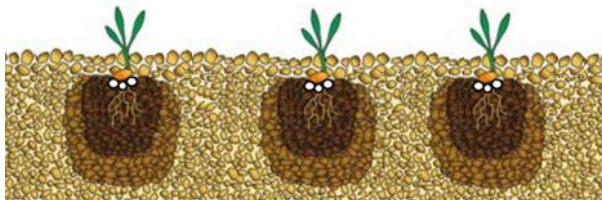

ISOTRONIC


Model	Working width (cm)	Units (n°)	Row spacing (cm)	Seeding coulter	Transport width (cm)
<i>CENTAURO SF 500/34R – single disc</i>	500	34	15,0	<i>VORTEX SF</i>	255
<i>CENTAURO SF 500/34R – double disc</i>	500	34	15,0	<i>COREX PLUS SF</i>	255
<i>CENTAURO SF 500/40R – single disc</i>	500	40	12,5	<i>VORTEX SF</i>	255
<i>CENTAURO SF 500/40R – double disc</i>	500	40	12,5	<i>COREX PLUS SF</i>	255
<i>CENTAURO SF 600/40R – single disc</i>	600	40	15,0	<i>VORTEX SF</i>	255
<i>CENTAURO SF 600/40R – double disc</i>	600	40	15,0	<i>COREX PLUS SF</i>	255
<i>CENTAURO SF 600/48R – single disc</i>	600	48	12,5	<i>VORTEX SF</i>	255
<i>CENTAURO SF 600/48R – double disc</i>	600	48	12,5	<i>COREX PLUS SF</i>	255

PRIMAVERA SF seeding bar

- ▶ Available only with straight suffolk couler
- ▶ 4-ranks seeding bar
- ▶ Power required: 160 HP

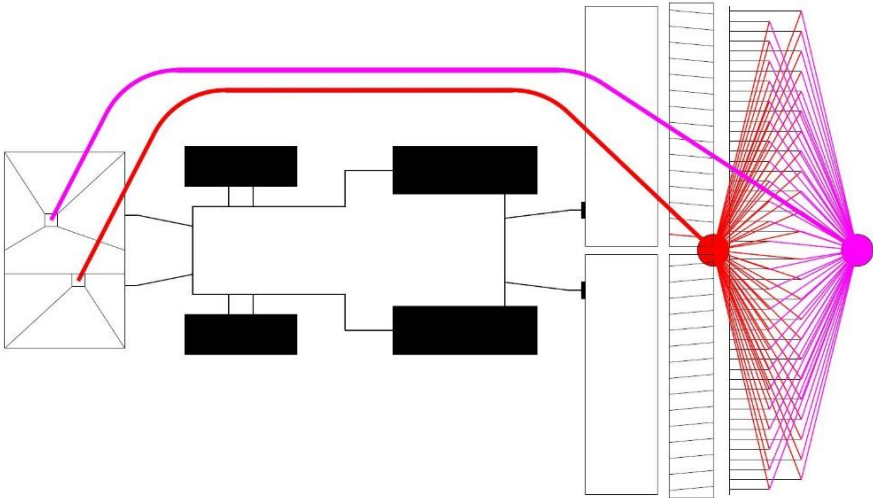
ISOTRONIC



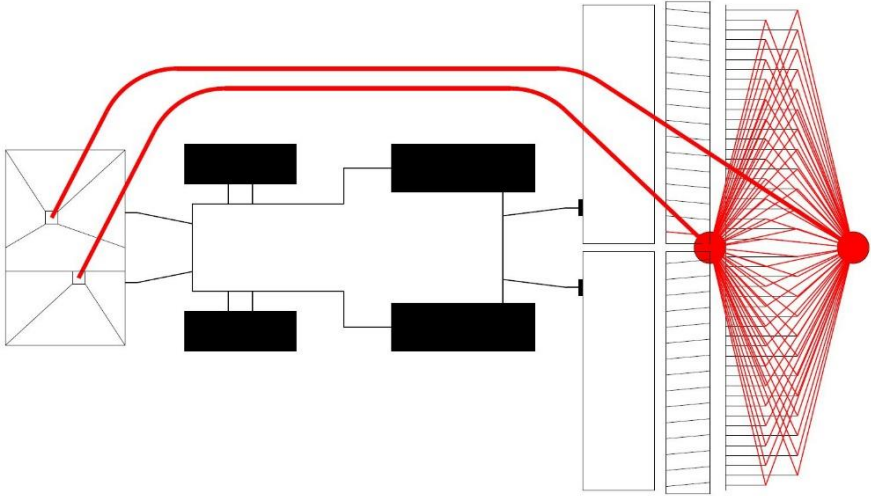
Model	Working width (cm)	Units (n°)	Row spacing (cm)	Seeding couler	Transport width (cm)
<i>PRIMAVERA SF seeding bar 600/40R – suffolk</i>	600	40	15,0	Straight suffolk	300
<i>PRIMAVERA SF seeding bar 600/48R – suffolk</i>	600	48	12,5	Straight suffolk	300

Seeding bar configurations

Seed & Fertilizer



Seed



ISOBUS «GENIUS MASTER»

BASIC FUNCTIONS

- ▶▶ Connection to ISOBUS implements (UT)
- ▶▶ Seeding rate setting
- ▶▶ Quick rate variation (%)
- ▶▶ Seed delivery cut-off
- ▶▶ Implement hydraulic functions
- ▶▶ Seeding test
- ▶▶ Manual section control
- ▶▶ Seeding alarms
- ▶▶ Tramline
- ▶▶ Pre-start / Pre-stop
- ▶▶ Job value visualization:
 - ▶▶ Blower regime
 - ▶▶ Working speed
 - ▶▶ Hectar couter
 - ▶▶ Seeding rate

GENIUS MASTER system provides PA2 SF with wide seeding functions range.



ADVANCED FUNCTIONS (DGPS-RTK necessary)

- ▶▶ Task Controller (Precision Farming):
 - ▶▶ Prescription maps importing (TC-BAS)
 - ▶▶ Job documentations exporting (TC-BAS)
 - ▶▶ Automatic section control (TC-SC)
 - ▶▶ Automatic variable rate (TC-GEO)

ISOBUS «GENIUS MASTER»

**ISOBUS tractors
with own Virtual Terminal**



Not necessary another Virtual Terminal for connection tractor-drill.

Necessary check if tractor has all functions available for Precision Farming (Task Controller).

**No-ISOBUS tractors
without own Virtual Terminal**



MASCHIO GASPARDO provides a kit for connection between tractor and planter, which includes:

- ▶▶▶ ISOBUS Virtual Terminal
- ▶▶▶ cable for planter-terminal connection
- ▶▶▶ cable for tractor battery



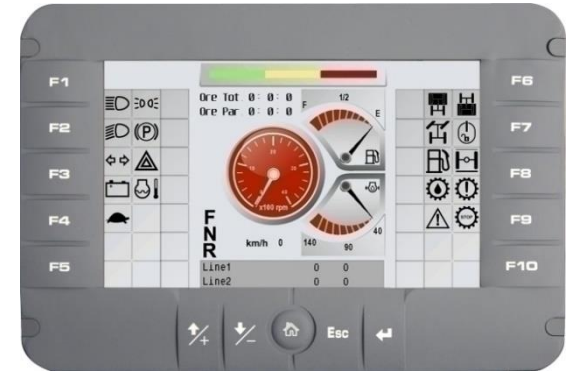
TERA 7



TOUCH 800

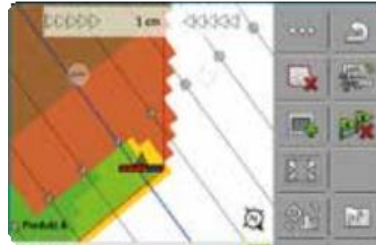
TERA 7

- ▶▶ 7" color touchscreen display
- ▶▶ Menù with various languages
- ▶▶ ISOBUS functions
 - ▶▶ Connection to ISOBUS implements (UT)
- ▶▶ Bracket
- ▶▶ GENIUS MASTER update function
- ▶▶ USB port (only for GENIUS MASTER updating)



TOUCH 800

- ▶▶ 8" color touchscreen display
- ▶▶ Menù with various languages
- ▶▶ ISOBUS functions
 - ▶▶ Connections to ISOBUS implements (UT)
 - ▶▶ Prescription maps importing (TC-BAS)
 - ▶▶ Job documentation exporting (TC-BAS)
 - ▶▶ Automatic section control (TC-SC)
 - ▶▶ Automatic variable rate (TC-GEO)
- ▶▶ Bracket
- ▶▶ USB device
- ▶▶ USB port
- ▶▶ Track Leader (parallel guidance)
- ▶▶ Optional functions (contact MASCHIO GASPARDO for availability)
 - ▶▶ Multicontrol (independent variable rate for 2 different products)

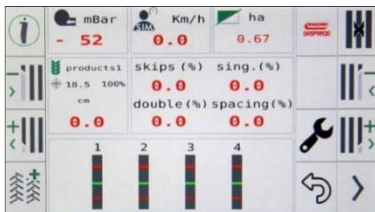


Precision Farming

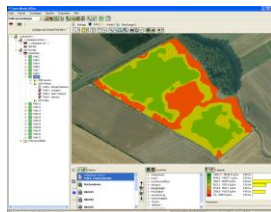
Thanks to **GENIUS MASTER**, PA2 SF takes advantages of **ISOBUS** functionalities for **Precision Farming**.



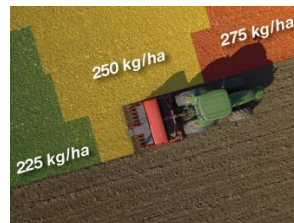
Only one
ISOBUS terminal



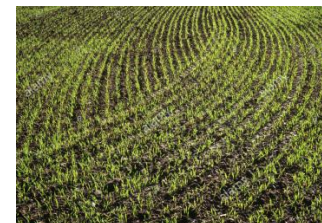
Data transfer
Virtual Terminal <-> PC



Variable rate



Automatic
section control





Supplied By

DELMADÉ
Shaping the Land

1800 335 623

www.delmade.com.au

7 Roxford Ave, Westbury, TAS, 7303